

# OWNER'S MANUAL SUPPLEMENT

## RESIDENTIAL OIL FIRED WATER HEATERS

### INSTALLATION AND OPERATING INSTRUCTIONS FOR THE BLOCKED VENT SWITCH

This water heater has been shipped from the factory with a flue collar/blocked vent switch assembly. This switch is designed to detect flue gas spillage due to a blocked flue, continuous down drafting, or inadequate draft condition.

#### Installation

### ⚠ WARNING

All wiring must be installed by a qualified installer in accordance with all local codes or, in the absence of local codes, CSA C22.1 Canadian Electrical Code, in Canada, and/or the National Electrical Code ANSI/NFPA 70, in the United States. Before installing the switch, remember to DISCONNECT THE POWER SUPPLY to the water heater. Failure to follow these instructions can result in property damage, personal injury, or death.

- 1) Install the pre-assembled flue collar/blocked vent switch assembly over the flue outlet on the water heater (see Figure 1).
- 2) Wire the switch to the thermostat connections on the oil burner (see appropriate wiring diagram in Figure 2).
- 3) Install the vent pipe onto the flue collar and secure it using sheet metal screws (not supplied).

#### Operation

With the switch wired to the burner circuit, it will shutdown the burner once it senses the spillage of hot flue gases. The switch will not allow the burner to restart until it has been manually reset. In order to manually reset the switch:

- 1) Wait for the vent pipe to cool down.
- 2) Insert the end of a pencil or square head screwdriver into the opening for the reset (see Figure 1) and depress the red reset button.

Figure 1

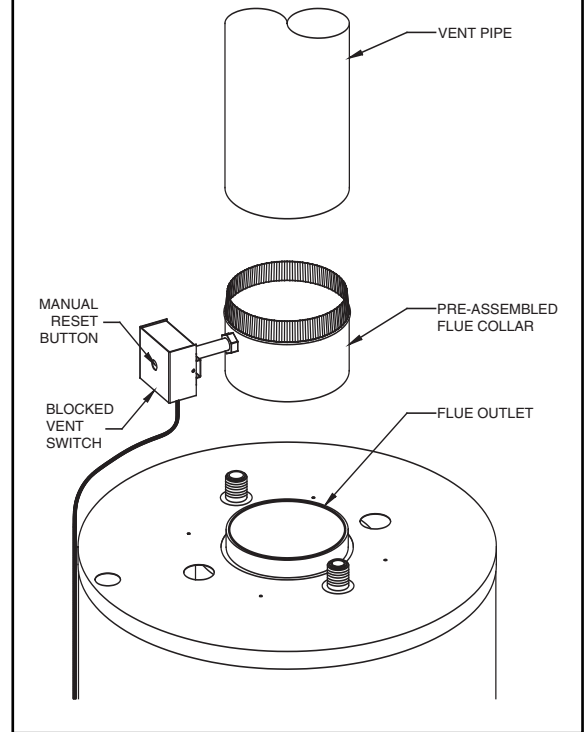


Figure 2

