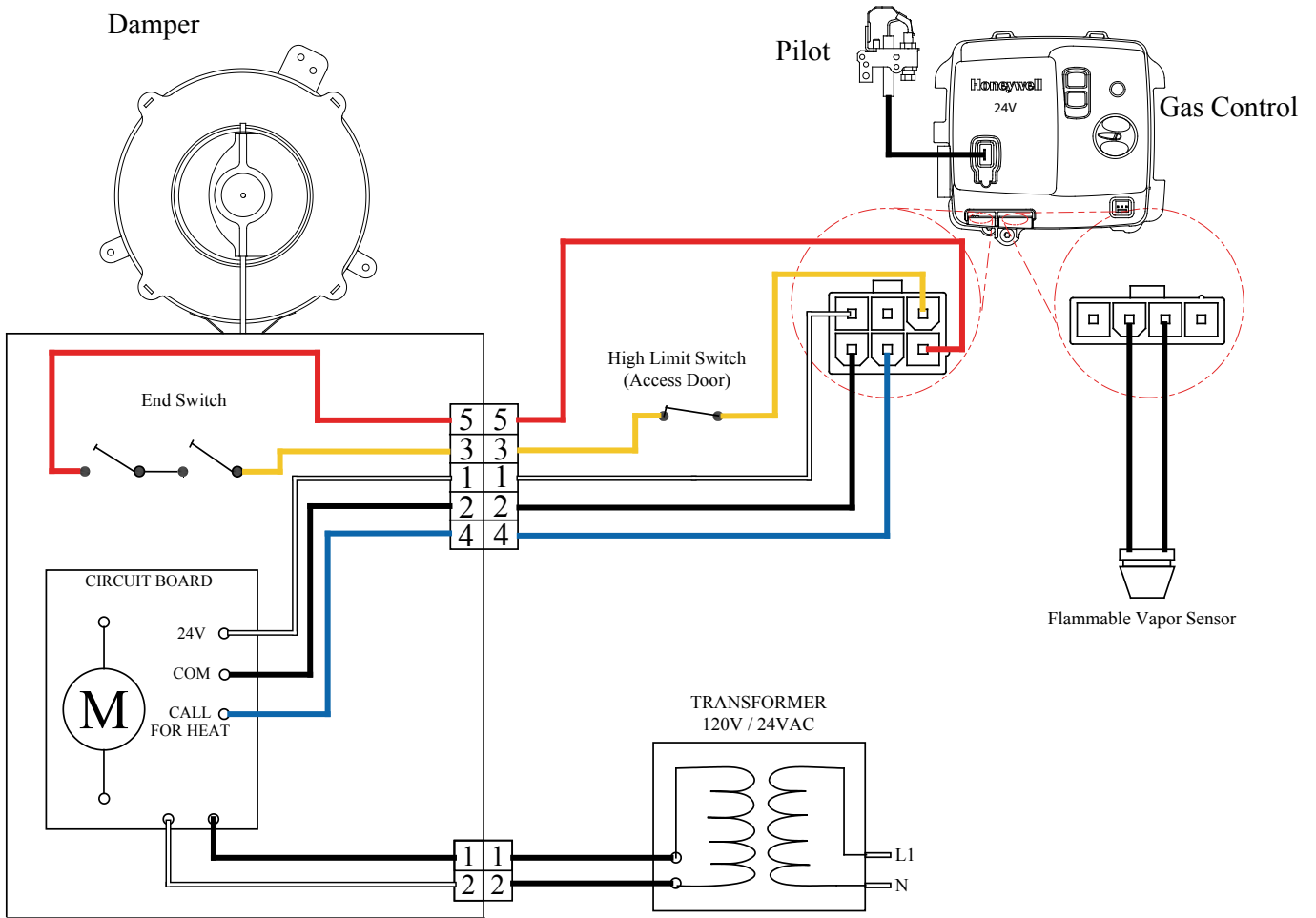




Enhancing everyday living

# WIRING DIAGRAM

## Gas atmospheric vent with Flue Damper



In accordance with our company policy of on-going product improvement, Giant Factories Inc. reserves the right to make changes without prior notice.

[giantinc.com](http://giantinc.com)

GI-0700-05-0616



40 Lesage Avenue Montréal-East (Québec) CANADA H1B 5H3 • Telephone: (514) 645-8893 • Fax: (514) 640-0969