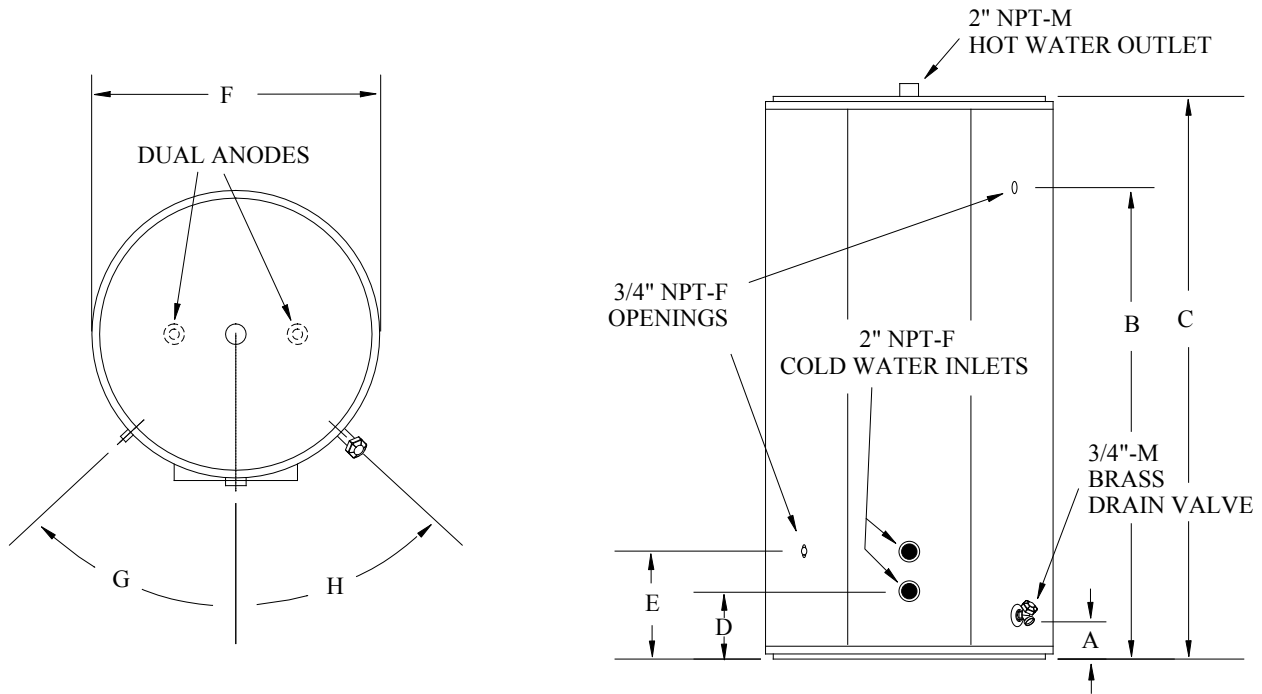


Commercial storage tank  
**1000-ISO MODEL**  
 80 imperial gallons / 364 litres

| Model    | Storage Capacity |        | Dimensions Inches (cm) |              |              |            |             |         |       |       | Weight<br>lb (kg) |
|----------|------------------|--------|------------------------|--------------|--------------|------------|-------------|---------|-------|-------|-------------------|
|          | imp. gal         | Litres | A                      | B            | C            | D          | E           | F       | G     | H     |                   |
| 1000-ISO | 80               | 364    | 2 3/8 (6)              | 55 1/4 (140) | 65 1/2 (166) | 6 1/2 (17) | 10 1/2 (27) | 28 (71) | 47.0° | 47.0° | 370 (168)         |



JOB TITLE \_\_\_\_\_

ADDRESS \_\_\_\_\_

CONTRACTOR \_\_\_\_\_

ADDRESS \_\_\_\_\_

ENGINEER \_\_\_\_\_

SUBMITTED DATE \_\_\_\_\_

REQUIRED PRODUCT \_\_\_\_\_

MODEL NO. \_\_\_\_\_ SIZE \_\_\_\_\_ QUANTITY \_\_\_\_\_

MODEL NO. \_\_\_\_\_ SIZE \_\_\_\_\_ QUANTITY \_\_\_\_\_

MODEL NO. \_\_\_\_\_ SIZE \_\_\_\_\_ QUANTITY \_\_\_\_\_

MODEL NO. \_\_\_\_\_ SIZE \_\_\_\_\_ QUANTITY \_\_\_\_\_

REQUIRED DATE \_\_\_\_\_

In accordance with our product continued improvement policy, Giant Factories Inc. reserves the right to make changes or improvements at any time without prior notice.

[giantinc.com](http://giantinc.com)