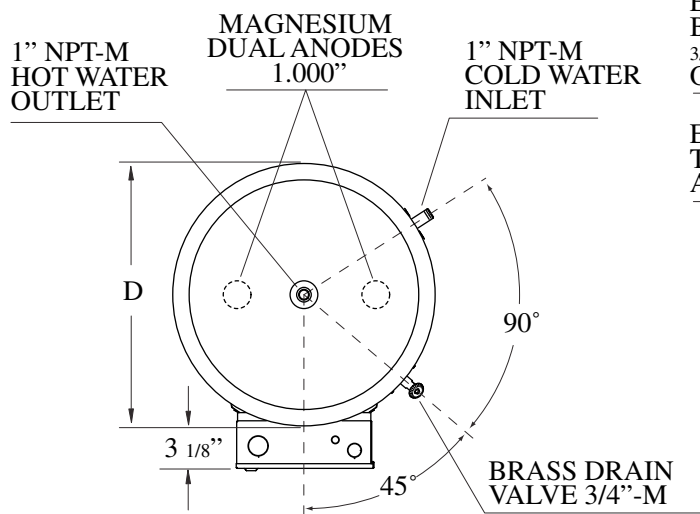


Commercial electric water heaters

1022 MODELS

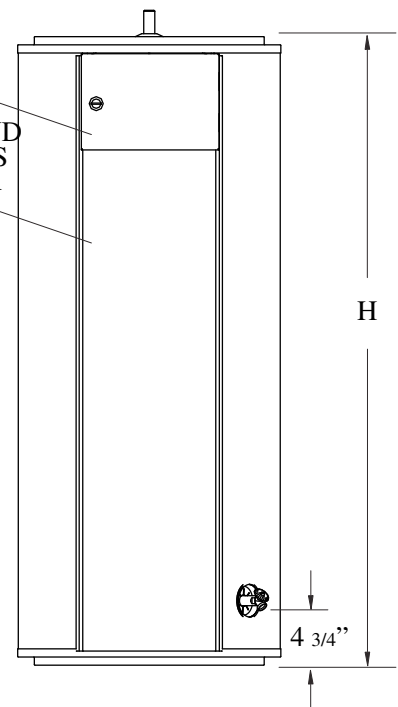
80 imperial gallons / 364 litres

Model	Storage Capacity		Input (kW)	Voltage (Volts)	Ph.	Dimensions inches (cm)		Weight lb (kg)
	Imp. gal	Litres				H	D	
1022	80	364	3 to 6	208	1	55 3/8 (141)	28 1/4 (72)	380 (172)
1022	80	364	3 to 6	240	1	55 3/8 (141)	28 1/4 (72)	380 (172)



ELECTRICAL BOX WITH 3/4" to 1 1/4" OPENINGS

ELEMENTS AND THERMOSTATS ACCESS DOOR



JOB TITLE

SUBMITTED DATE

ADDRESS

REQUIRED PRODUCT

CONTRACTOR

MODEL NO. SIZE QUANTITY

ADDRESS

MODEL NO. SIZE QUANTITY

ENGINEER

MODEL NO. SIZE QUANTITY

MODEL NO. SIZE QUANTITY

REQUIRED DATE

In accordance with our product continued improvement policy, Giant Factories Inc. reserves the right to make changes or improvements at any time without prior notice.

giantinc.com