



ENGINEERING SUBMITTAL DATA SHEET

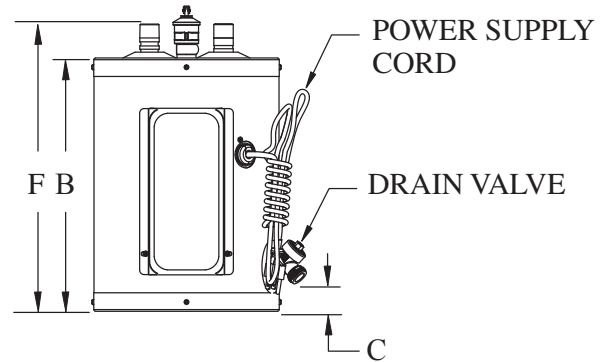
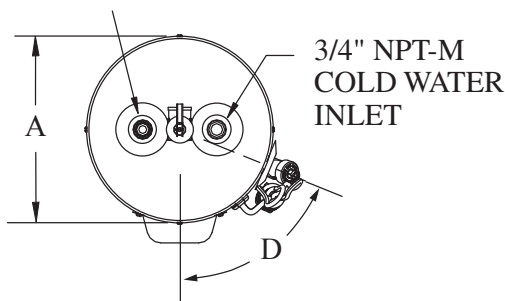
Top entry point of use electric compact water heaters

103ETE MODEL

2 imperial gallons / 9 litres
insulated with 1 1/4" fiberglass

Model	Storage Capacity		Input	Voltage	Diameter (A) In. (cm)	Height (B) In. (cm)	C In. (cm)	D	E	F In. (cm)	Plumbing connections	Est. ship. wt. lb (kg)
	Imp. gal.	Litres										
103ETE-1R3N	2	9	1,500W	120V	10 (25)	13 3/4 (35)	1 1/2 (4)	68°	—	15 5/8 (40)	3/4" NPT	24(11)

3/4" NPT-M
HOT WATER OUTLET
COMBINATION ANODE



JOB TITLE

ADDRESS

CONTRACTOR

ADDRESS

ENGINEER

SUBMITTED DATE

REQUIRED PRODUCT

MODEL NO. SIZE QUANTITY

MODEL NO. SIZE QUANTITY

MODEL NO. SIZE QUANTITY

MODEL NO. SIZE QUANTITY

REQUIRED DATE

In accordance with our product continued improvement policy, Giant Factories Inc. reserves the right to make changes or improvements at any time without prior notice.

giantinc.com



40 Lesage Avenue, Montreal-East (Quebec) Canada H1B 5H3 • Telephone: (514) 645-8893 • Fax: (514) 640-0969