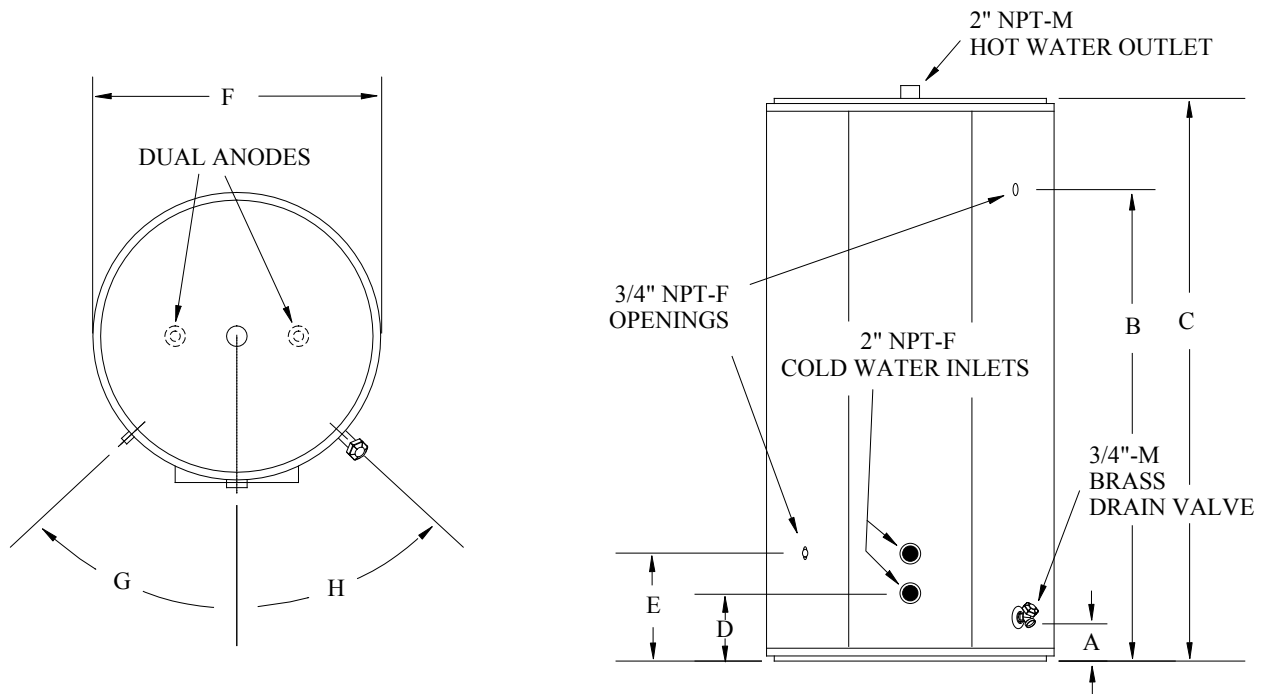


Commercial storage tank
1100-ISO MODEL
 100 imperial gallons / 455 litres

Model	Storage Capacity		Dimensions Inches (cm)								Weight lb (kg)
	imp. gal	Litres	A	B	C	D	E	F	G	H	
1100-ISO	100	455	2½ (6)	56 (142)	66¼ (168)	6½ (17)	10½ (27)	28 (71)	47.0°	47.0°	415 (188)



JOB TITLE _____

ADDRESS _____

CONTRACTOR _____

ADDRESS _____

ENGINEER _____

SUBMITTED DATE _____

REQUIRED PRODUCT _____

MODEL NO. _____ SIZE _____ QUANTITY _____

MODEL NO. _____ SIZE _____ QUANTITY _____

MODEL NO. _____ SIZE _____ QUANTITY _____

MODEL NO. _____ SIZE _____ QUANTITY _____

REQUIRED DATE _____

In accordance with our product continued improvement policy, Giant Factories Inc. reserves the right to make changes or improvements at any time without prior notice.

giantinc.com