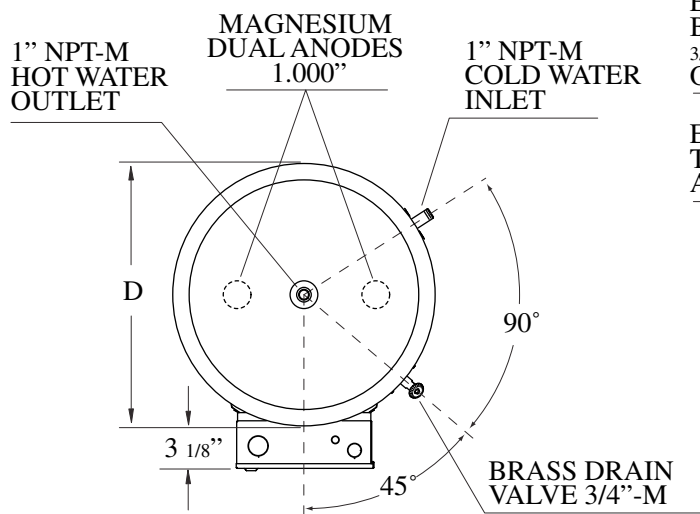


Commercial electric water heaters

1129 MODELS

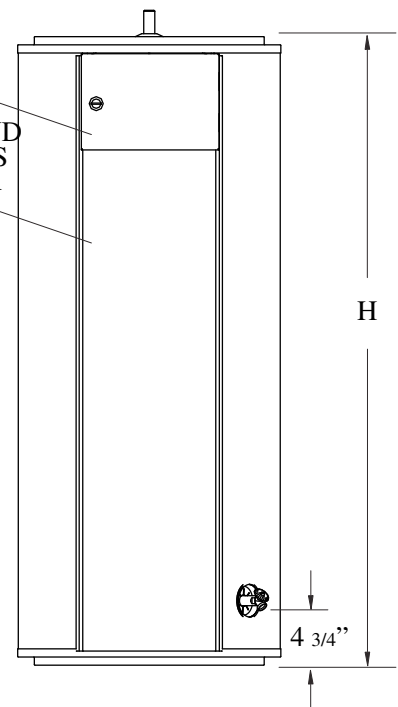
100 imperial gallons / 455 litres

Model	Storage Capacity		Input (kW)	Voltage (Volts)	Ph.	Dimensions inches (cm)		Weight lb (kg)
	Imp. gal	Litres				H	D	
1129	100	455	27 to 54	208	1-3	67 ³ / ₈ (171)	28 ¹ / ₄ (72)	423 (192)
1129	100	455	27 to 54	240	1-3	67 ³ / ₈ (171)	28 ¹ / ₄ (72)	423 (192)
1129	100	455	27 to 63	600	3	67 ³ / ₈ (171)	28 ¹ / ₄ (72)	423 (192)



ELECTRICAL BOX WITH 3/4" to 1 1/4" OPENINGS

ELEMENTS AND THERMOSTATS ACCESS DOOR



JOB TITLE _____

ADDRESS _____

CONTRACTOR _____

ADDRESS _____

ENGINEER _____

SUBMITTED DATE _____

REQUIRED PRODUCT _____

MODEL NO. _____ SIZE _____ QUANTITY _____

MODEL NO. _____ SIZE _____ QUANTITY _____

MODEL NO. _____ SIZE _____ QUANTITY _____

MODEL NO. _____ SIZE _____ QUANTITY _____

REQUIRED DATE _____

In accordance with our product continued improvement policy, Giant Factories Inc. reserves the right to make changes or improvements at any time without prior notice.

giantinc.com