


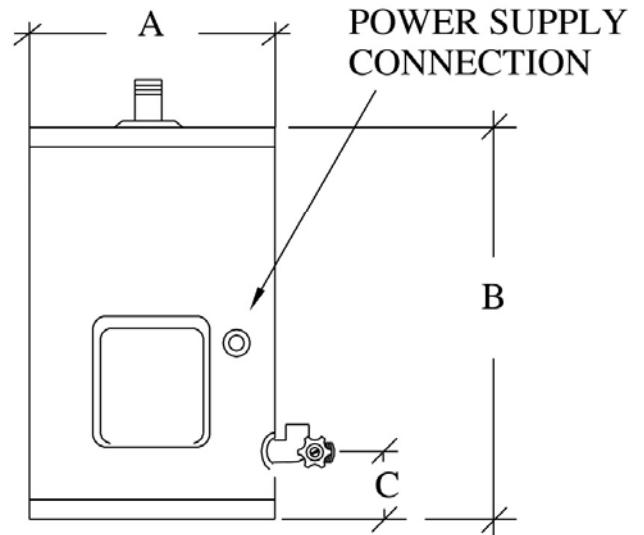
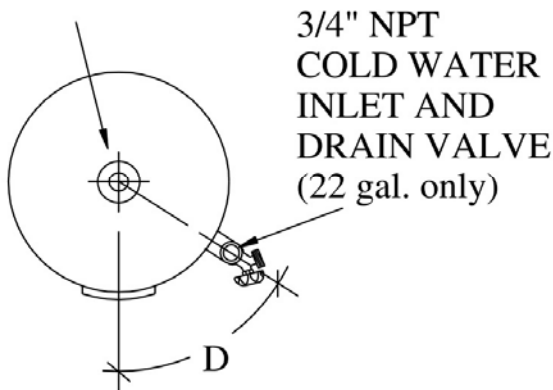


ENGINEERING SUBMITTAL DATA SHEET

BOTTOM ENTRY
POINT OF USE ELECTRIC WATER HEATERS
MODELS 130E
22 IMPERIAL GALLONS / 100 LITRES
INSULATED WITH 2" ECO-FRIENDLY 

Model	Storage capacity		Input	Voltage	Standby loss	Diameter (A) in/cm	Height (B) in/cm	C in/cm	D	Plumbing connections	Est. ship. wt. lb/kg
	Imp. gal.	Litres									
130E-1R7N	22	100	1,500W	120V	60W	18 1/4/46	41 1/4/105	2 1/2/5	58°	3/4" NPT	90/41
130E-3R7N	22	100	3,000W	240V	60W	18 1/4/46	41 1/4/105	2 1/2/5	58°	3/4" NPT	90/41

3/4" NPT
HOT WATER OUTLET
COMBINATION ANODE



JOB TITLE: _____
ADDRESS: _____

DATE SUBMITTED: _____
PRODUCT REQUIRED: _____

CONTRACTOR: _____
ADDRESS: _____

MODEL NO.	SIZE	QUANTITY
_____	_____	_____
_____	_____	_____
_____	_____	_____

ENGINEER: _____

DATE REQUIRED: _____

Giant Factories Inc.

40 Avenue Lesage, Montreal-East, Quebec, Canada H1B 5H3
 Telephone: (514) 645-8893 Fax: (514) 640-0969 www.giantinc.com

Giant Factories Inc. reserves the right to make product changes or improvements at any time without notice.