



Enhancing everyday living



ENGINEERING SUBMITTAL DATA SHEET

Commercial electric water heaters

108 MODELS (Light & Medium Duty)

61.4 imperial gallons / 279 litres

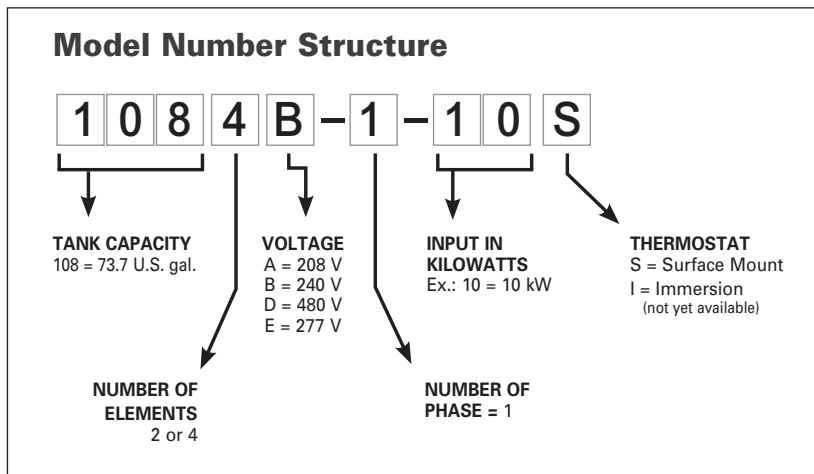
Insulated with 2" Eco-Friendly **GREENFOAM**

208, 240, 277 & 480 Volts

These models meet the safety and construction requirements of UL Standard 174 and meet or exceed the energy efficiency requirements of NAECA and ASHRAE 90.1.

Models*	Input (kW)	Amperage				Phase	Number of elements
		208 Volts	240 Volts	277 Volts	480 Volts		
Light & Medium Duty with 2 or 4 elements							
1082Y-1-3S	3	14.4	12.5	10.8	6.3	1	2
1082Y-1-4.5S	4.5	18.3	18.8	16.3	9.4		
1082Y-1-5S	5	24.0	20.8	18.0	10.4		
1082Y-1-6S	6	—	25.0	21.7	12.5		
1084Y-1-6S	6	28.8	25.0	21.7	12.5	1	4
1084Y-1-9S	9	43.3	37.5	32.5	18.8		
1084Y-1-10S	10	48.0	41.6	36.0	20.8		
1084Y-1-12S	12	—	50.0	43.5	25.0		

* Replace the "Y" by the letter referring to its voltage (refer to the following "Voltage index" as well as the "Model Number Structure" for further details).



Voltage index	
A	208 Volts
B	240 Volts
D	480 Volts
E	277 Volts

Note: _____

See reverse for this model drawing as well as order details.



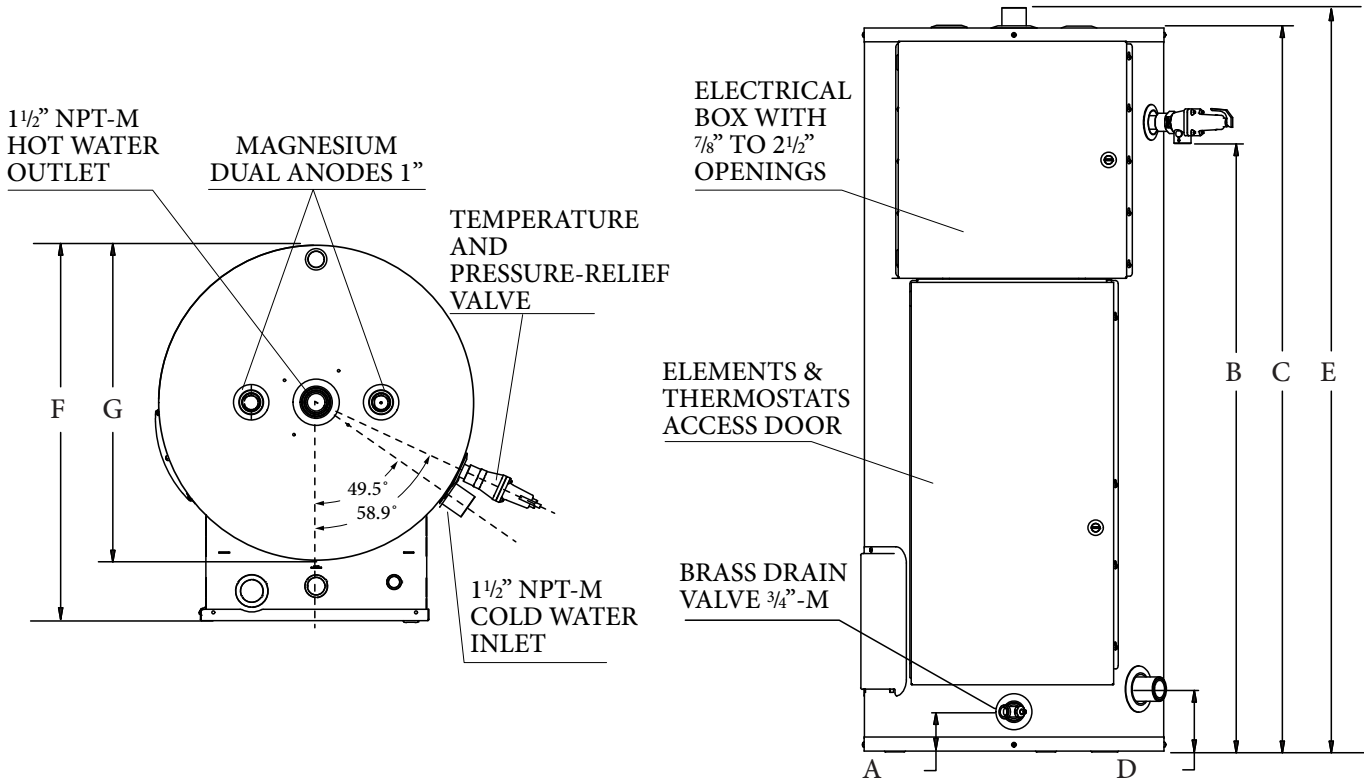
In accordance with our company policy of on-going product improvement, Giant Factories Inc. reserves the right to make changes without prior notice.

giantinc.com



40 Lesage Avenue, Montréal-East (Québec) Canada H1B 5H3 • Telephone: (514) 645-8893 • Fax: (514) 640-0969

Commercial electric water heaters
108 MODELS
(Light & Medium Duty)
 61.4 imperial gallons / 279 litres



Models	Storage Capacity			A Inches (cm)	B Inches (cm)	C Inches (cm)	D Inches (cm)	E Inches (cm)	F Inches (cm)	G Inches (cm)	Est. Ship. Weight	
	U.S. gal.	Litres	Imp. gal.								lb.	kg
All 108	73.7	279.0	61.4	3 1/8 (7.9)	51 3/8 (130.5)	59 5/8 (151.4)	4 7/8 (12.4)	60 7/8 (154.6)	28 1/4 (71.8)	24 (61)	285	129.3

Installation Notes: _____

JOB TITLE _____

SUBMITTED DATE _____

ADDRESS _____

REQUIRED PRODUCT _____

CONTRACTOR _____

MODEL NO. _____ SIZE _____ QUANTITY _____

MODEL NO. _____ SIZE _____ QUANTITY _____

ADDRESS _____

MODEL NO. _____ SIZE _____ QUANTITY _____

MODEL NO. _____ SIZE _____ QUANTITY _____

ENGINEER _____

REQUIRED DATE _____

In accordance with our company policy of on-going product improvement, Giant Factories Inc. reserves the right to make changes without prior notice.

giantinc.com



Enhancing everyday living



ENGINEERING SUBMITTAL DATA SHEET

Commercial electric water heaters

108 MODELS (Heavy Duty)

61.4 imperial gallons / 279 litres

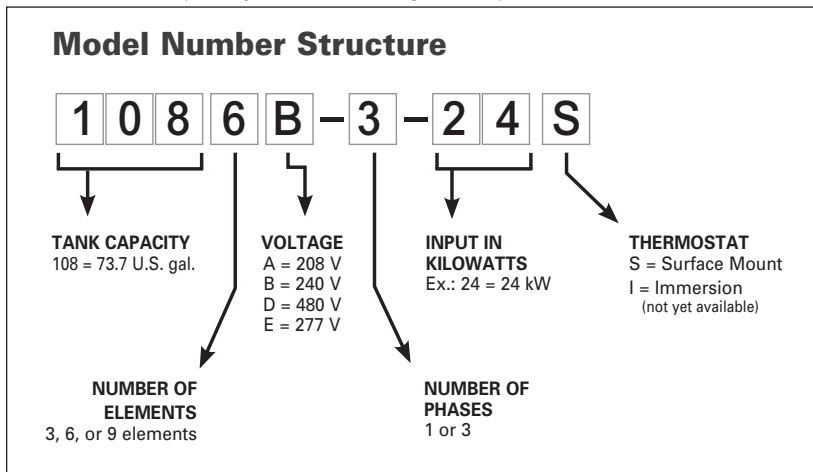
Insulated with 2" Eco-Friendly **GREENFOAM™**

208, 240, 277 & 480 Volts

These models meet the safety and construction requirements of UL Standard 1453 and meet or exceed the standby loss requirement of ASHRAE 90.1 Standard.

Models*	Input (kW)	Amperage				Phase(s)	Number* of elements
		208 Volts	240 Volts	277 Volts	480 Volts		
Heavy Duty with 3, 6, or 9 elements							
1083Y-1-13.5S	13.5	64.9	56.3	48.7	28.1	1	3
1083Y-3-13.5S		37.5	32.5	—	16.2	3	
1083Y-1-15S	15	72.1	62.5	54.2	31.3	1	3
1083Y-3-15S		41.6	36.1	—	18.0	3	
108XY-1-18S	18	86.5*	75.0	65.0	37.5	1	3 or 6
108XY-3-18S		50.0*	43.3	—	21.7	3	
1086Y-1-24S	24	115.4	100.0	86.6	50.0	1	6
1086Y-3-24S		66.6	57.7	—	28.9	3	
1086Y-1-27S	27	129.8	112.5	97.5	56.3	1	6
1086Y-3-27S		74.9	65.0	—	32.5	3	
1086Y-1-30S	30	144.2	125.0	108.3	62.5	1	6
1086Y-3-30S		83.3	72.2	—	36.1	3	
108XY-1-36S	36	173.1*	150.0	130.0	75.0	1	6 or 9
108XY-3-36S		99.9*	86.6	—	43.3	3	
1089Y-1-40.5S	40.5	194.7	168.8	146.2	84.4	1	9
1089Y-3-40.5S		112.4	97.4	—	48.7	3	
1089Y-1-45S	45	216.3	187.5	162.5	93.8	1	9
1089Y-3-45S		124.9	108.3	—	54.1	3	
1089Y-1-54S	54	—	255.0	194.9	112.5	1	9
1089Y-1-54S		—	129.9	—	65.0	3	

* Replace the "X" in the model number by the element quantity shown in the "Number of elements" column as well as the "Y" by the letter referring to its voltage (refer to the following "Voltage index" as well as the "Model Number Structure" for further details). For 208 V Models with a 18 kW input, only the 6-element configuration is possible. For 208 V Models with a 36kW input, only the 9-element configuration is possible.



Voltage index	
A	208 Volts
B	240 Volts
D	480 Volts
E	277 Volts

See reverse for this model drawing as well as order details.

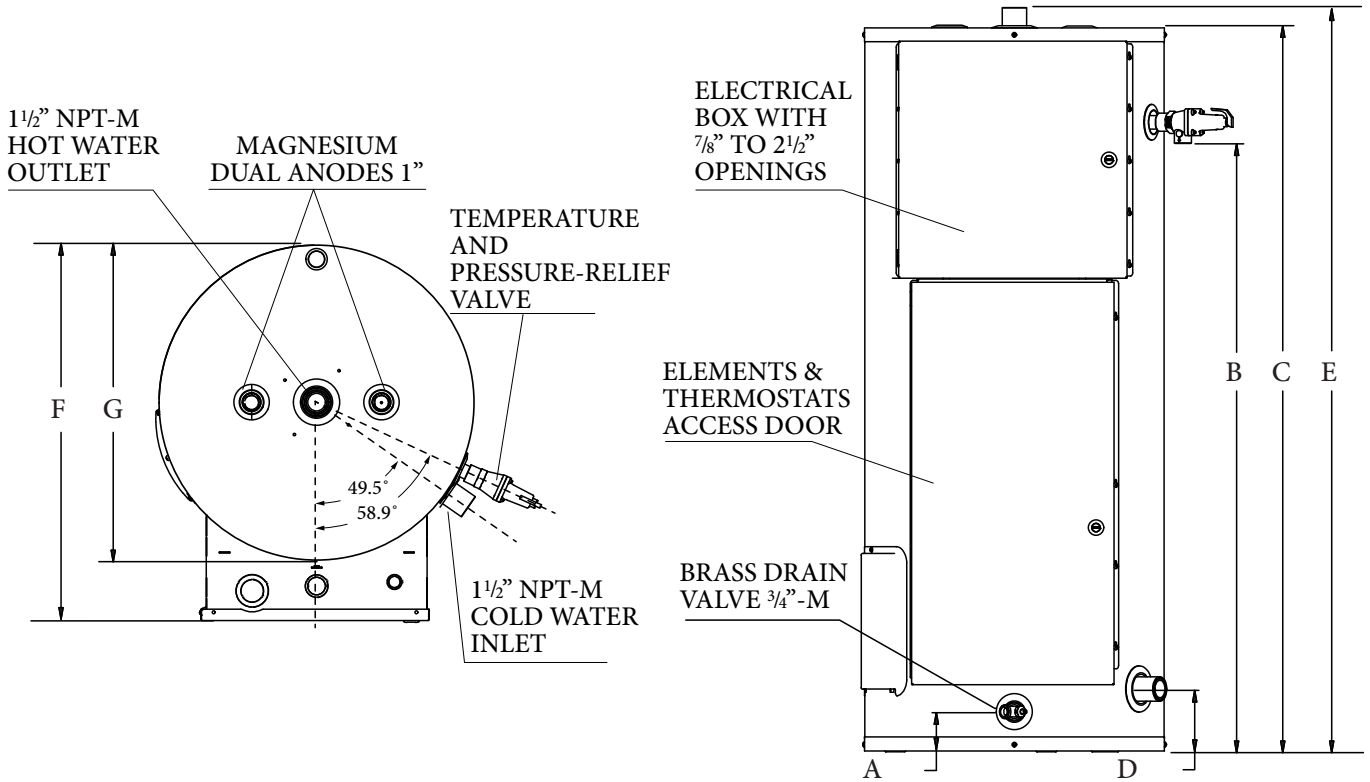


In accordance with our company policy of on-going product improvement, Giant Factories Inc. reserves the right to make changes without prior notice.

giantinc.com



40 Lesage Avenue, Montréal-East (Québec) Canada H1B 5H3 • Telephone: (514) 645-8893 • Fax: (514) 640-0969



Models	Storage Capacity			A Inches (cm)	B Inches (cm)	C Inches (cm)	D Inches (cm)	E Inches (cm)	F Inches (cm)	G Inches (cm)	Est. Ship. Weight	
	U.S. gal.	Litres	Imp. gal.								lb.	kg
All 108	73.7	279.0	61.4	3 1/8 (7.9)	51 3/8 (130.5)	59 5/8 (151.4)	4 7/8 (12.4)	60 7/8 (154.6)	28 1/4 (71.8)	24 (61)	285	129.3

Installation Notes: _____

JOB TITLE _____

SUBMITTED DATE _____

ADDRESS _____

REQUIRED PRODUCT _____

CONTRACTOR _____

MODEL NO. _____ SIZE _____ QUANTITY _____

ADDRESS _____

MODEL NO. _____ SIZE _____ QUANTITY _____

ENGINEER _____

MODEL NO. _____ SIZE _____ QUANTITY _____

MODEL NO. _____ SIZE _____ QUANTITY _____

REQUIRED DATE _____

In accordance with our company policy of on-going product improvement, Giant Factories Inc. reserves the right to make changes without prior notice.

giantinc.com



Enhancing everyday living



C US
LOW LEAD
CONTENT



ENGINEERING SUBMITTAL DATA SHEET

Commercial electric water heaters

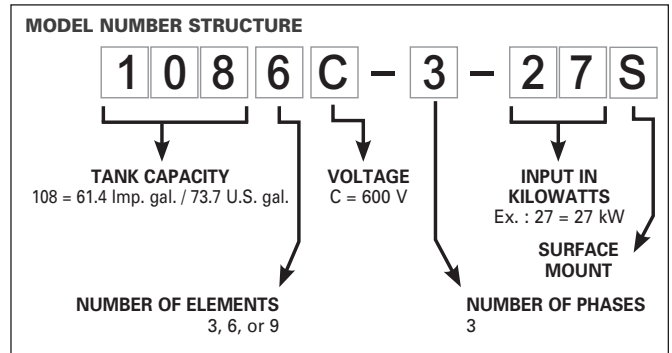
108 MODELS

61.4 Imp. gallons / 279 litres

600 Volts

with 3, 6 or 9 elements

Models	Input (kW)	Number of elements	Amperage
1083C-3-6S	6	3	5.8
1083C-3-9S	9		8.7
1083C-3-12S	12		11.5
1083C-3-13.5S	13.5		13.0
1083C-3-15S	15		14.4
1083C-3-18S	18		17.3
1086C-3-18S	18	6	17.3
1086C-3-24S	24		23.1
1086C-3-27S	27		26.0
1086C-3-30S	30		28.9
1086C-3-36S	36	9	34.6
1089C-3-36S	36		34.6
1089C-3-40.5S	40.5		39.0
1089C-3-45S	45		43.3
1089C-3-54S	54		52.0



Voltage Index	
C	600 Volts

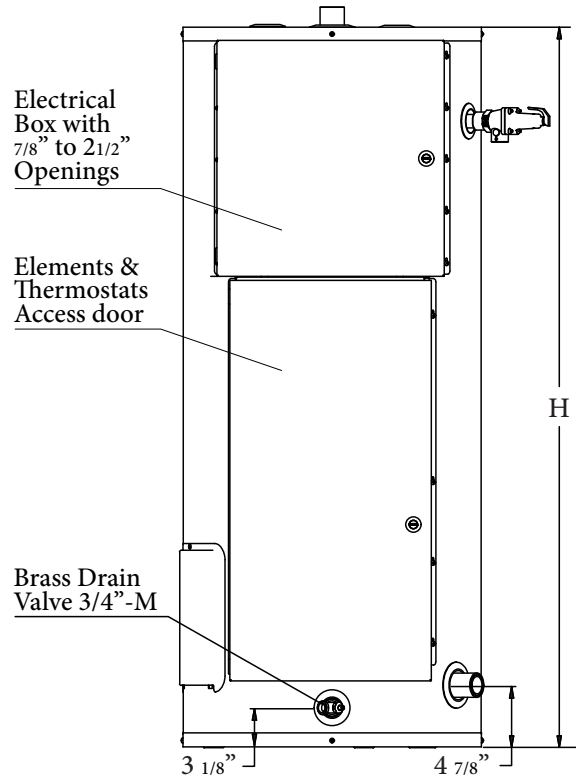
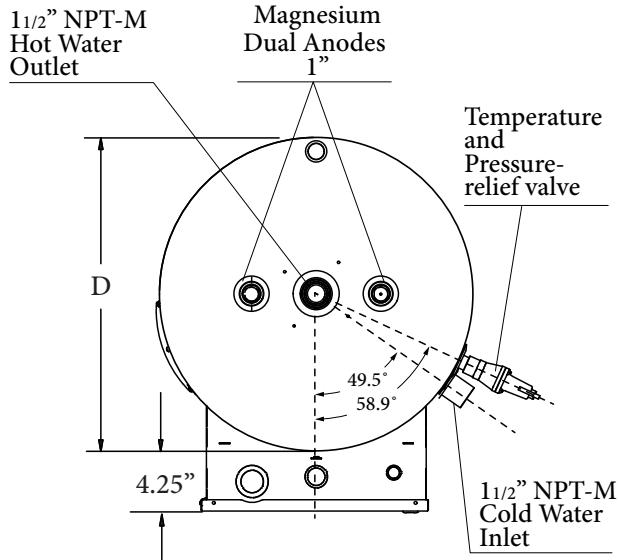
Note : _____

See reverse for this model drawing as well as order details.

In accordance with our company policy of on-going product improvement, Giant Factories Inc. reserves the right to make changes without prior notice. giantinc.com



40 Lesage Avenue, Montréal-East (Québec) Canada H1B 5H3 • Telephone: (514) 645-8893 • Fax: (514) 640-0969



Models	Storage Capacity			Dimensions inches (cm)		Est. Ship. Weight	
	U.S. gal	Litres	Imp. gal.	H	D	lb	(kg)
All 108	73.7	279.0	61.4	60 7/8 (154.6)	28 1/4 (71.8)	285	(129.3)

Note : _____

JOB TITLE _____

SUBMITTED DATE _____

ADDRESS _____

REQUIRED PRODUCT _____

CONTRACTOR _____

MODEL NO. _____ SIZE _____ QUANTITY _____

ADDRESS _____

MODEL NO. _____ SIZE _____ QUANTITY _____

ENGINEER _____

MODEL NO. _____ SIZE _____ QUANTITY _____

MODEL NO. _____ SIZE _____ QUANTITY _____

REQUIRED DATE _____

In accordance with our company policy of on-going product improvement, Giant Factories Inc. reserves the right to make changes without prior notice.

giantinc.com