



Enhancing everyday living



ENGINEERING SUBMITTAL DATA SHEET

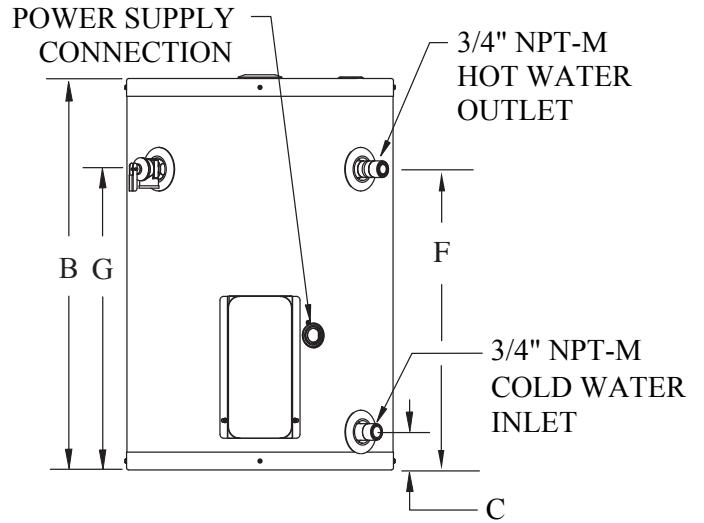
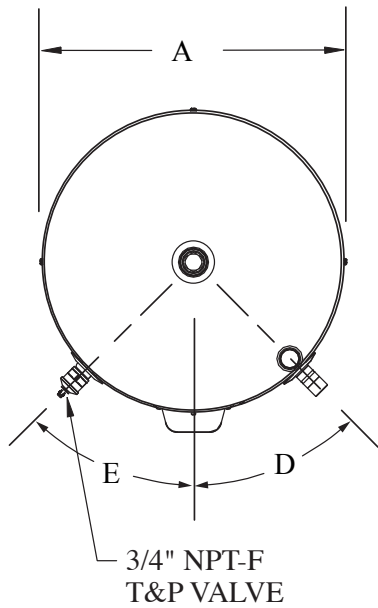
Side entry point of use electric compact water heaters

119SEO MODELS

16 imperial gallons / 72 litres
insulated with 1 1/4" fiberglass

These models meet or exceed the safety and construction requirements of CSA 22.2 Standard

Models	Storage Capacity			Input	Voltage	Diameter (A) In. (cm)	Height (B) In. (cm)	C In. (cm)	D	E	F In. (cm)	G In. (cm)	Plumbing connections	Est. ship. wt. lb (kg)
	US gal.	Litres	Imp. gal.											
119SEO-1R5M	19	72	16	1,500 W	120 V	18 1/4 (46)	26 1/2 (67)	2 5/8 (6)	45°	45°	20 5/8 (52)	19 (48)	3/4" NPT	65 (30)
119SEO-3R5M	19	72	16	3,000 W/2,250 W	240 V/208 V	18 1/4 (46)	26 1/2 (67)	2 5/8 (6)	45°	45°	20 5/8 (52)	19 (48)	3/4" NPT	65 (30)



JOB TITLE

ADDRESS

CONTRACTOR

ADDRESS

ENGINEER

SUBMITTED DATE

REQUIRED PRODUCT

MODEL NO. SIZE QUANTITY

MODEL NO. SIZE QUANTITY

MODEL NO. SIZE QUANTITY

MODEL NO. SIZE QUANTITY

REQUIRED DATE

In accordance with our company policy of on-going product improvement, Giant Factories Inc. reserves the right to make changes without prior notice.

giantinc.com



40 Lesage Avenue, Montréal-East (Québec) Canada H1B 5H3 • Telephone: (514) 645-8893 • Fax: (514) 640-0969