



Enhancing everyday living



ENGINEERING SUBMITTAL DATA SHEET

C191.0 CASCADE bottom entry residential electric water heaters

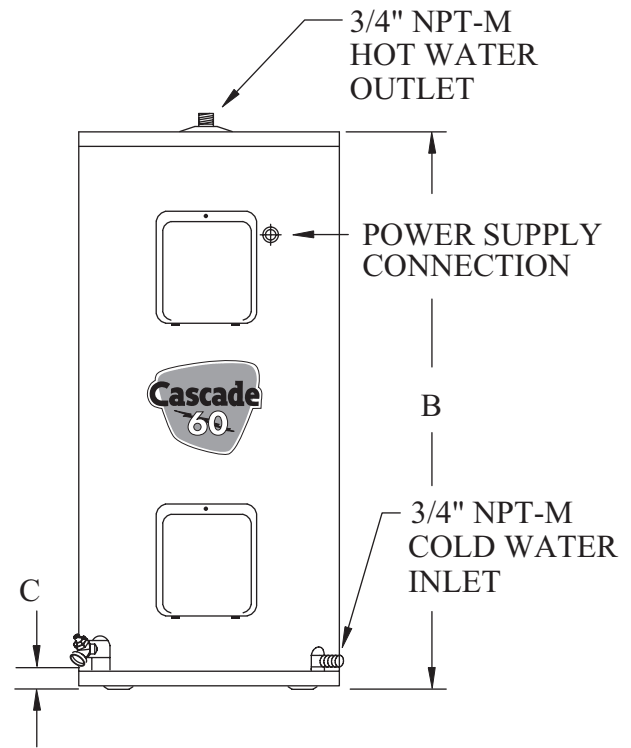
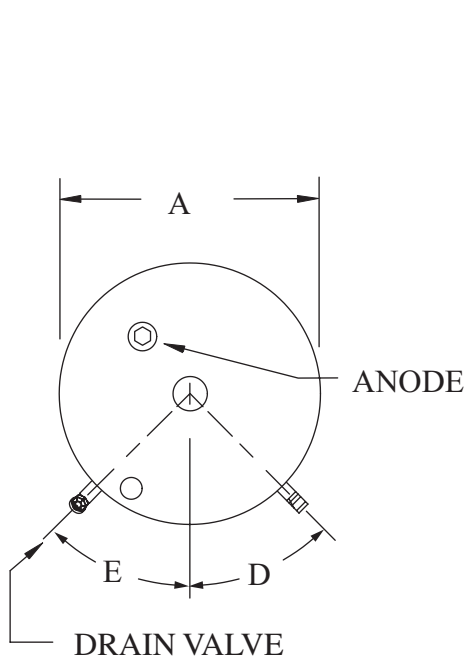
172B MODELS



61 imperial gallons / 279 litres
insulated with 1 3/4" eco-friendly GREENFOAM

These models meet the safety and construction requirements of CSA 22.2 Standard and meet or exceed RNCAN energy efficiency requirements

Models	Storage Capacity			Input	Voltage	Standby loss	Diameter (A) In. (cm)	Height (B) In. (cm)	C In. (cm)	D	E	Plumbing connections	Est. ship. wt. lb (kg)
	US gal.	Litres	imp. gal.										
172B-1F7M	74	279	61	1,500 W	120 V	89 W	23 1/2 (60)	59 7/8 (152)	2 1/2 (6)	45°	45°	3/4" NPT	185 (84)
172B-2F7M	74	279	61	4,500 W	208 V	89 W	23 1/2 (60)	59 7/8 (152)	2 1/2 (6)	45°	45°	3/4" NPT	185 (84)
172B-3F7M	74	279	61	4,500 W	240 V	89 W	23 1/2 (60)	59 7/8 (152)	2 1/2 (6)	45°	45°	3/4" NPT	185 (84)



JOB TITLE

ADDRESS

CONTRACTOR

ADDRESS

ENGINEER

SUBMITTED DATE

REQUIRED PRODUCT

MODEL NO. SIZE QUANTITY

MODEL NO. SIZE QUANTITY

MODEL NO. SIZE QUANTITY

MODEL NO. SIZE QUANTITY

REQUIRED DATE

In accordance with our company policy of on-going product improvement, Giant Factories Inc. reserves the right to make changes without prior notice.

giantinc.com



40 Lesage Avenue, Montréal-East (Québec) Canada H1B 5H3 • Telephone: (514) 645-8893 • Fax: (514) 640-0969