



ENGINEERING SUBMITTAL DATA SHEET

Commercial natural gas-fired flue-tampered water heaters

UG73 MODELS

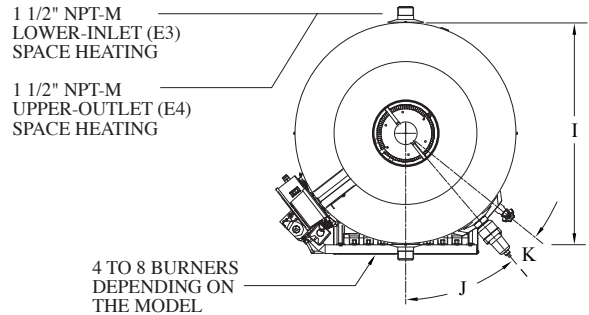
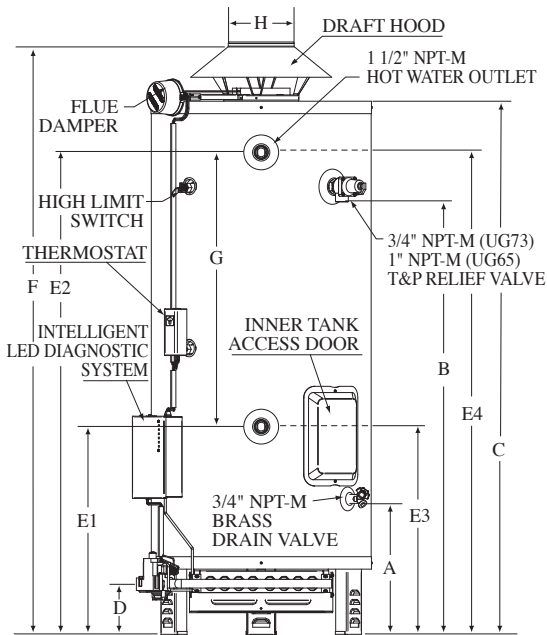
61 imperial gallons / 276 litres
insulated with 2" high density fiberglass



Models	Storage Capacity			Type of gas	Input BTU	Recovery 100 °F (56 °C)			Altitude	Est. ship. weight lb (kg)
	(US) gal	Litres	Imp. gal			(US) gal	Litres	Imp. gal		
UG73-125NH	73	276	61	N	112,000	106	401	88	N & H	429 (195)
UG73-125N	73	276	61	N	125,000	118	447	98	N	429 (195)
UG73-150NH	73	276	61	N	135,000	128	484	107	N & H	429 (195)
UG73-150N	73	276	61	N	150,000	142	538	118	N	429 (195)
UG73-200NH	73	276	61	N	180,000	170	643	142	N & H	429 (195)
UG73-200N	73	276	61	N	200,000	189	715	157	N	429 (195)

DIMENSIONS inches (cm)

Models	A	B	C	D	E1	E2	E3	E4	F	G	H	I	J	K
UG73	15¾ (40)	52½ (133)	64¾ (164)	6¾ (16)	25¼ (64)	58¼ (148)	25¼ (64)	58¼ (148)	69 (175)	33 (84)	6 (15)	26½ (67)	40.3°	10.9°
UG73-125	15¾ (40)	52½ (133)	64¾ (164)	6¾ (16)	25¼ (64)	58¼ (148)	25¼ (64)	58¼ (148)	69 (175)	33 (84)	5 (13)	26½ (67)	40.3°	10.9°



JOB TITLE _____

ADDRESS _____

CONTRACTOR _____

ADDRESS _____

ENGINEER _____

SUBMITTED DATE _____

REQUIRED PRODUCT _____

MODEL NO. _____	SIZE _____	QUANTITY _____
MODEL NO. _____	SIZE _____	QUANTITY _____
MODEL NO. _____	SIZE _____	QUANTITY _____
MODEL NO. _____	SIZE _____	QUANTITY _____

REQUIRED DATE _____

In accordance with our company policy of on-going product improvement, Giant Factories Inc. reserves the right to make changes without prior notice.

giantinc.com



40 Lesage Avenue, Montréal-East (Québec) Canada H1B 5H3 • Telephone: (514) 645-8893 • Fax: (514) 640-0969