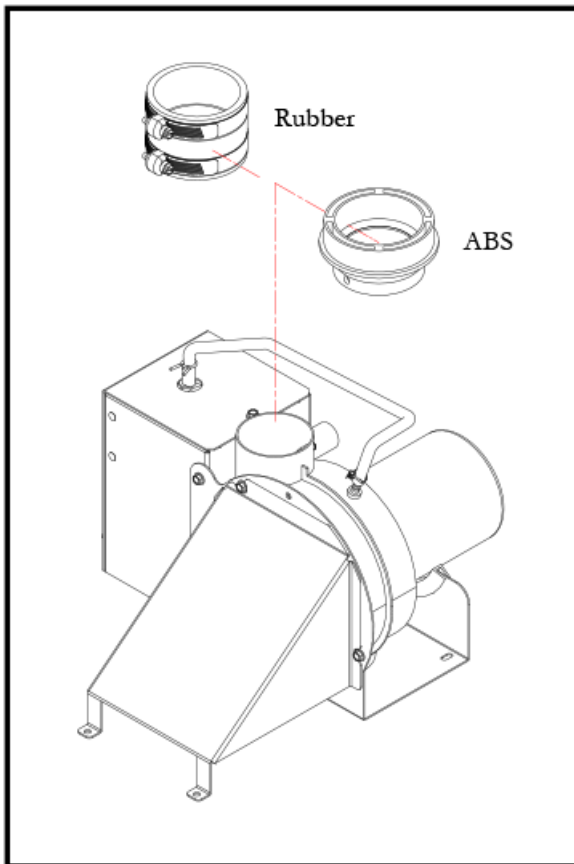


## Power Vent Water Heater Transition Fittings

Giant power vented water heaters with the blower unit as illustrated below are approved by CSA with two (2) different connection methods to connect the blower unit with the venting system. The first one is an ABS transition fitting that can accommodate a two (2) inch (5 cm) or three (3) inch (7.6 cm) vent pipe (2" is inside of fitting and 3" is outside of fitting). The second one is a rubber adapter with two (2) hose clamps that accommodate a two (2) inch (5 cm) vent pipe and would have to be transitioned to three (3) inches (7.6 cm) using a 2"x3" reducer bushing immediately downstream of this adapter.



Notice: When using the ABS transition fitting, the use of transition cement (ABS to PVC or CPVC) certified to ULC S636 and approved for use with the vent pipe system installed is mandatory. The ABS transition fitting can be used until CSA or the authority having jurisdiction legislate to only accept ULC S636 certified material for transition fitting, which should be as of July 2008. At this time, the rubber adapter will be the only transition fitting supplied with our units.