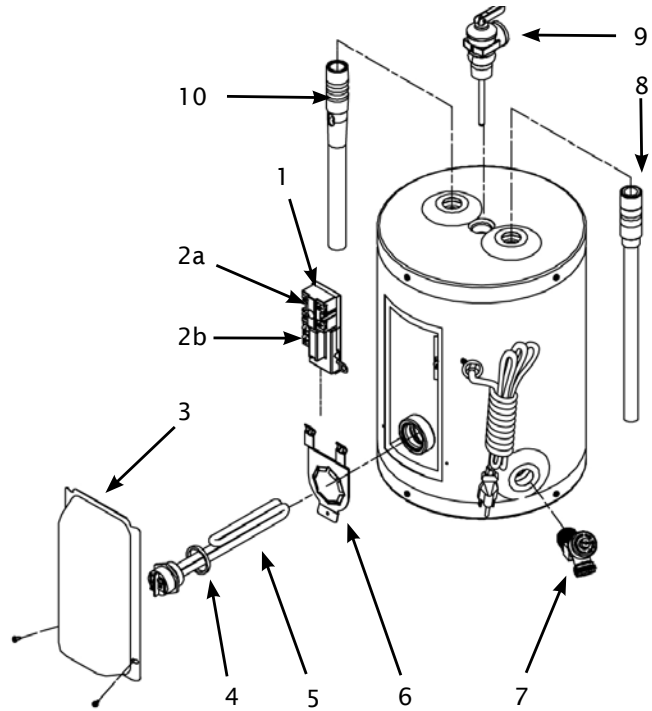




# RESIDENTIAL POINT-OF-USE ELECTRIC MODEL

## 103ETE MODEL

I.D.	Part #	Description
1	TH30X006	Thermostat with reset
2a	TH3ZX001	High limit reset control
2b	TH3ZX004	Thermostat
3	99000160-A	Element access cover
4	18G0005	Screw-in element gasket
5	03G15/80-1	Screw-in element
6	18G0011	Thermostat bracket
7	15000018-A	Plastic drain valve
8	22001325-A	Dip tube
9	18G0022	T&P relief valve
10	MC143104	Combination outlet nipple/ magnesium anode



# RESIDENTIAL POINT-OF-USE ELECTRIC MODELS

## 106SEO, 112SEO, 119SEO MODELS

I.D.	Part #	Description	Use With Models
1	TH30X006	Thermostat with reset	All
2a	TH3ZX001	High limit reset control	All
2b	TH3ZX004	Thermostat	All
3	99000160-A	Element access panel	All
4	18G0005	Screw-in element gasket	All
5	03G15/80 03G15/80-1 04G30/80	Screw-in element 120V Screw-in element 120V Screw-in element	All except 106SEO 106SEO All 240V (-3R5M)
6	18G0011	Thermostat bracket	All
7	NP022241	Inlet nipple	All
8	22000110-A	Outlet tube	All
9	20000100-A 20000170-A	Magnesium anode	106 112, 119
10	18G0022	T&P relief valve	All

