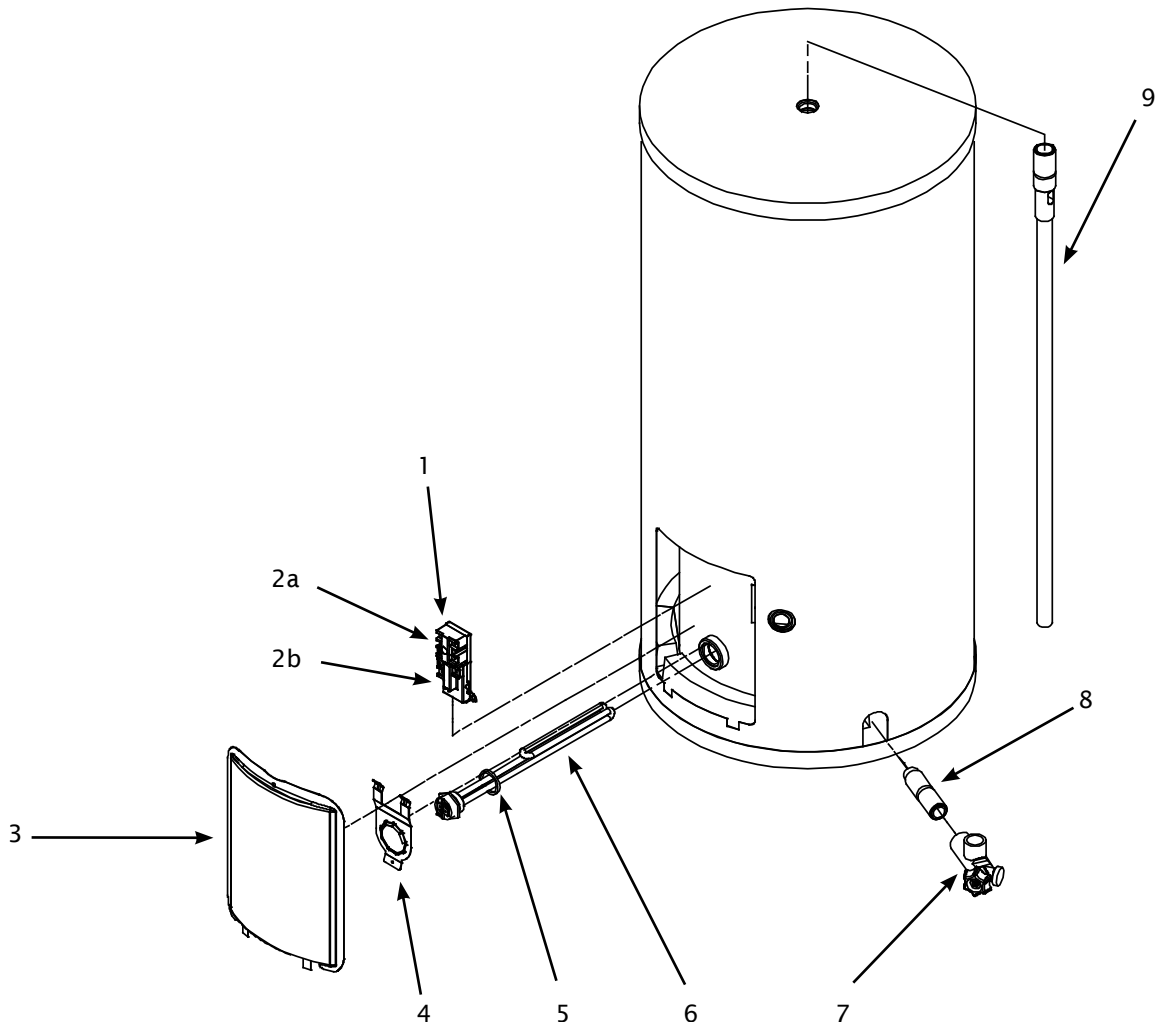


# RESIDENTIAL POINT-OF-USE ELECTRIC MODELS

## 110E\*, 115E\*, 130E MODELS

\* Discontinued models

| I.D. | Part #     | Description                               | Use With Models  |
|------|------------|---|------------------|
| 1    | TH30X006   | Thermostat with reset                     | All              |
| 2a   | TH3ZX001   | High limit reset control                  | All              |
| 2b   | TH3ZX004   | Thermostat                                | All              |
| 3    | 99000061-A | Element access cover                      | All              |
| 4    | 18G0011    | Thermostat bracket                        | All              |
| 5    | 18G0005    | Screw-in element gasket                   | All              |
| 6    | 03G15/80   | Screw-in element                          | All 120V (-1R7N) |
|      | 04G30/80   | Screw-in element                          | All 240V (-3R7N) |
| 7    | DV3Z5000   | Brass combination inlet/drain valve       | 130E             |
| 8    | 16000011-A | Inlet nipple                              | All              |
| 9    | MC143104   | Combination outlet nipple/magnesium anode | 110E             |
|      | MC143130   | Combination outlet nipple/magnesium anode | 115E             |
|      | MC143320   | Combination outlet nipple/magnesium anode | 130E             |



RESIDENTIAL POINT-OF-USE

Giant

Extract from the Replacement Part Catalog (June 2015)