



RESIDENTIAL ELECTRIC MODELS

152B, 172B (Cascade), 152E, 172E (Super Cascade) MODELS

I.D.	Part #	Description	Use With Models
1	TH3ZX006	Upper thermostat with reset	All
2a	TH3ZX001	High limit reset control	All
2b	TH3ZX002	Upper thermostat	All
3	99001204-A	Twist-Lock Flanges	All
4	18G0002	Square Flange gaskets	All
5*	10G30/80 10G45/80	Upper square flange element (240V)	152 172
6	15000028-A 18G0020	Brass drain valve Plastic drain valve	All E (except 172E-3F7M, 152E-3F7M) All B, 172E-3F7M and 152E-3F7M
7	TH3ZX004	Lower thermostat	All
8	18G0001	Thermostat brackets	All
9	4500026-A	Hexagonal Head Screw	All
10	99000060-A 99000061-A	Element access doors	All -3F5, -3F6 All -3F7, -3F8
11*	10G30/40 10G30/80 10G45/40 10G45/80	Lower square flange element (240V) Lower square flange element (240V) Lower square flange element (240V) Lower square flange element (240V)	152B,152E (except 152E-3F7M) 152E-3F7M 172B,172E (except 172E-3F7M) 172E-3F7M
12	16000011-A	Inlet nipple	All
13	MS145410 MS145510 MS155410 MS155520	Magnesium anode Magnesium anode Magnesium anode Magnesium anode	152B, 152E-3F7M 172B, 172E-3F7M 152E-3F8M 172E-3F8M
14	NP022302 16001110-A 16001111-A	Outlet nipple Outlet nipple with heat trap Outlet nipple with heat trap	All B,E 152B-HT,152E-HT 172B-HT, 172E-HT
15	9000000	Brass tee fitting	All
16	18G0022	T&P relief valve	All
17	19000009-A	Overflow tube with 90° elbow	152B, 172B, All 3F7M
18	19000010-A 19000011-A	Overflow tube kit 42" Overflow tube kit 54"	152E-3F8M 172E-3F8M

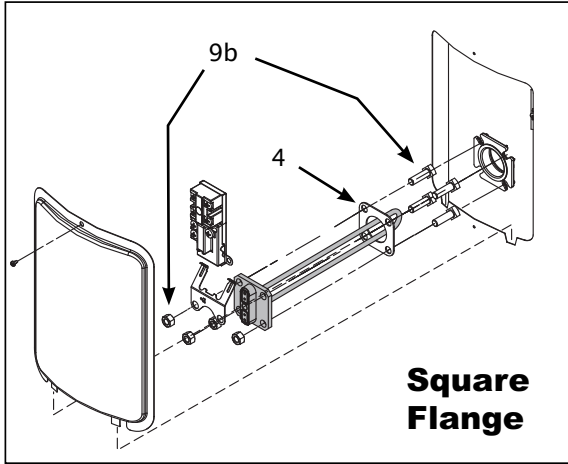
* For 208V element, change 10Gxx /40,/80 for 9AGxx /40,/80
 Note: Part #15, 16, 17 and 18 are not installed when supplied.





REPLACEMENT PARTS LIST

For models produced prior to Nov. 22nd, 2012



Square Flange

4	18G0002	Square Flange gaskets
9b	18G0013	Machine bolt & hex-head nuts

