



## RESIDENTIAL ATMOSPHERIC VENT GAS MODELS

### 30 gallons

UG30-30MF-N2U,  
UG30-27MF-P2U

### 40 gallons

UG40-34LF-N1U,  
UG40-38LF-N1U,  
UG40-36LF-N2U,  
UG40-40LF-N2U,  
UG40-32LF-P1U,  
UG40-36LF-P2U

### 50 gallons

UG50-38LF-N1U,  
UG50-40LF-N1U,  
UG50-40LF-N2U,  
UG50-36LF-P1U,  
UG50-38LF-P2U

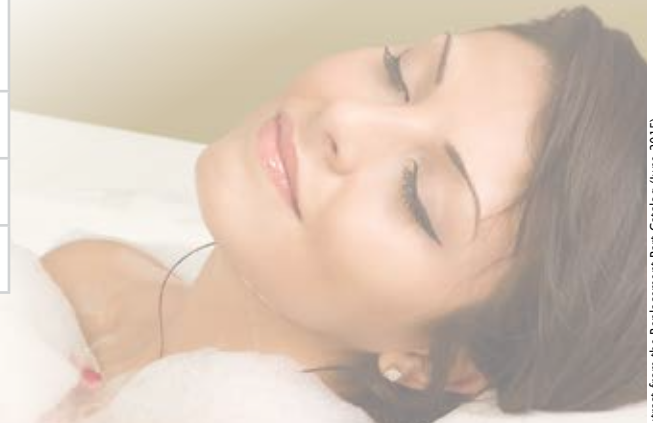
### 60 gallons

UG60-47MF-N2U,  
UG60-52MF-N2U,  
UG60-42MF-P2U,  
UG60-47MF-P2U

I.D.	Part #	Description	Use With Models
1	56000145-A	Piezo ignitor (prior to Nov. 2013)	All
	58000003-A	Piezo ignitor (after Oct. 2013)	
2	56000090-A 56000095-A	Gas control valve	UG30, UG40, UG50 UG60
3	56000068-A	Pilot/thermocouple ass.	All
4	BRA03001	Burner assembly	UG30-30
	06000804-A	Burner assembly	UG40-34
	BRA04001	Burner assembly	UG40-36
	06000810-A	Burner assembly	UG40-38
	BRA04002	Burner assembly	UG40-40
	06001206-A	Burner assembly	UG50-38
	BRA05001	Burner assembly	UG50-40
	06001509-A 06001516-A	Burner assembly Burner assembly	UG60-47 UG60-52
5	ADA03001	Inner access door kit	UG30, UG40
	ADA05001		UG50, UG60
6	ADA04002	Outer access door	All
7	56001002-A	High limit switch 220°F	UG40-36
	56001000-A	High limit switch 240°F	UG30, UG50
	56001006-A	High limit switch 250°F	UG40-38, UG40-34, UG60-47
	56001001-A	High limit switch 270°F	UG40-40, UG60-52
8	15000028-A	Brass drain valve	All
9	19000002-A	Overflow tube	UG30
	19000005-A	Overflow tube	UG40, UG50
	19000006-A	Overflow tube	UG60
10	DT005280	Dip tube	UG30
	22000407-A	Dip tube	UG40
	22000417-A	Dip tube with heat trap	UG40-N2U
	22000408-A	Dip tube	UG50
	22000418-A 22000405-A	Dip tube with heat trap Dip tube	UG50-N2U UG60
11	MS145280	Magnesium anode	UG30
	MS145320	Magnesium anode	UG40, 50
	MS145410	Magnesium anode	UG60
12	18G0022	T&P relief valve	All (N1U)
	SV0Z4220		All (N2U)
13	SBA03001	Flue baffle	UG30
	06000039-A	Power Twist™ flue baffle	UG40 (N2U), UG50, UG60
	06000041-A	Power Twist™ flue baffle	UG40 (N1U)
14	99000501-A	Flue reducer	UG40, 50
	99000502-A		UG60
15	DH9A3500	Draft hood	UG30, 40
	DH6A3500		UG50, 60
16	NP022241	Outlet nipple	All N1U, UG60
	16001111-A	Outlet nipple with heat trap	All N2U except UG60

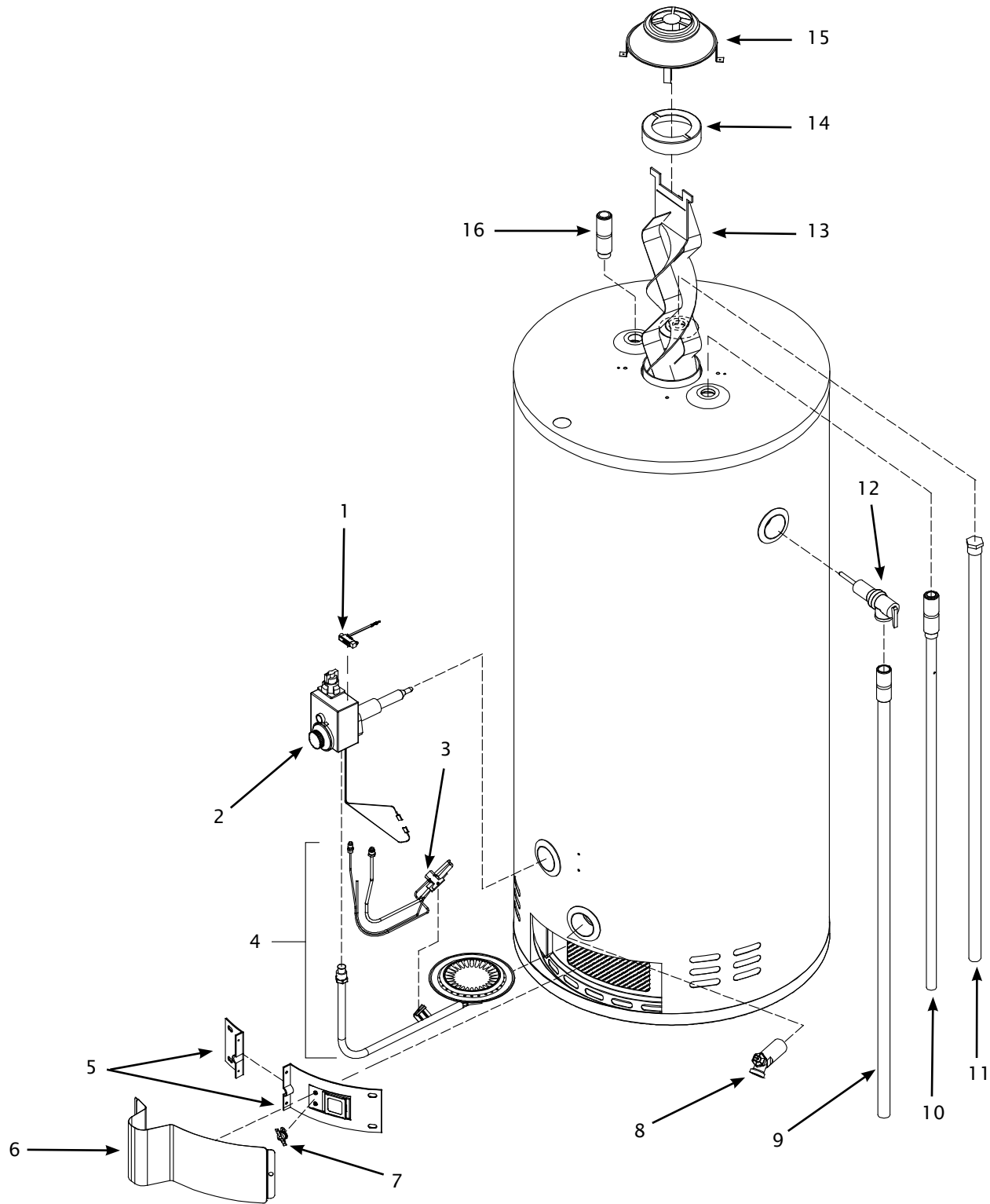
For PROPANE models, substitute the following:

I.D.	Part #	Description	Use With Models
2	56000091-A	Gas control valve	UG30, UG40, UG50 UG60
	56000096-A		
3	56000069-A	Pilot/thermocouple ass.	All
4	BRB03001	Burner assembly	UG30-27
	06000803-A	Burner assembly	UG40-32
	BRB04001	Burner assembly	UG40-36
	06001205-A	Burner assembly	UG50-36
	BRB05001	Burner assembly	UG50-38
	06001518-A 06001519-A	Burner assembly Burner assembly	UG60-42 UG60-47
7	56001003-A	High limit switch 210°F	UG30, UG50-36
	56001002-A	High limit switch 220°F	UG50-38
	56001000-A	High limit switch 240°F	UG40-32
	56001006-A	High limit switch 250°F	UG60
	56001001-A	High limit switch 270°F	UG40-36





# REPLACEMENT PARTS LIST





# RESIDENTIAL ATMOSPHERIC VENT GAS MODELS

UG60-52ME-N2U\*, UG60-50ME-P2U\*,  
UG60-47ME-N2U\*, UG60-45ME-P2U\*

\* Discontinued models

I.D.	Part #	Description	Use With Models
1	56000123-A	Gas control valve	All
2	PT2A2000	Pilot/thermocouple assembly	All
3	06001508-A BRA06001	Burner assembly	UG60-47 UG60-52
4	ADA05001	Inner access door kit	All
5	ADA04002	Outer access door	All
6	15000028-A	Brass drain valve	All
7	19000006-A	Overflow tube	All
8	22000404-A	Dip tube	All
9	MS145410	Magnesium anode	All
10	SV0Z4220	T&P relief valve	All
11	06000046-A	Power Twist™ flue baffle	All
12	99000502-A	Flue reducer	All
13	DH6A3500	Draft hood	All
14	NP022241	Outlet nipple	All

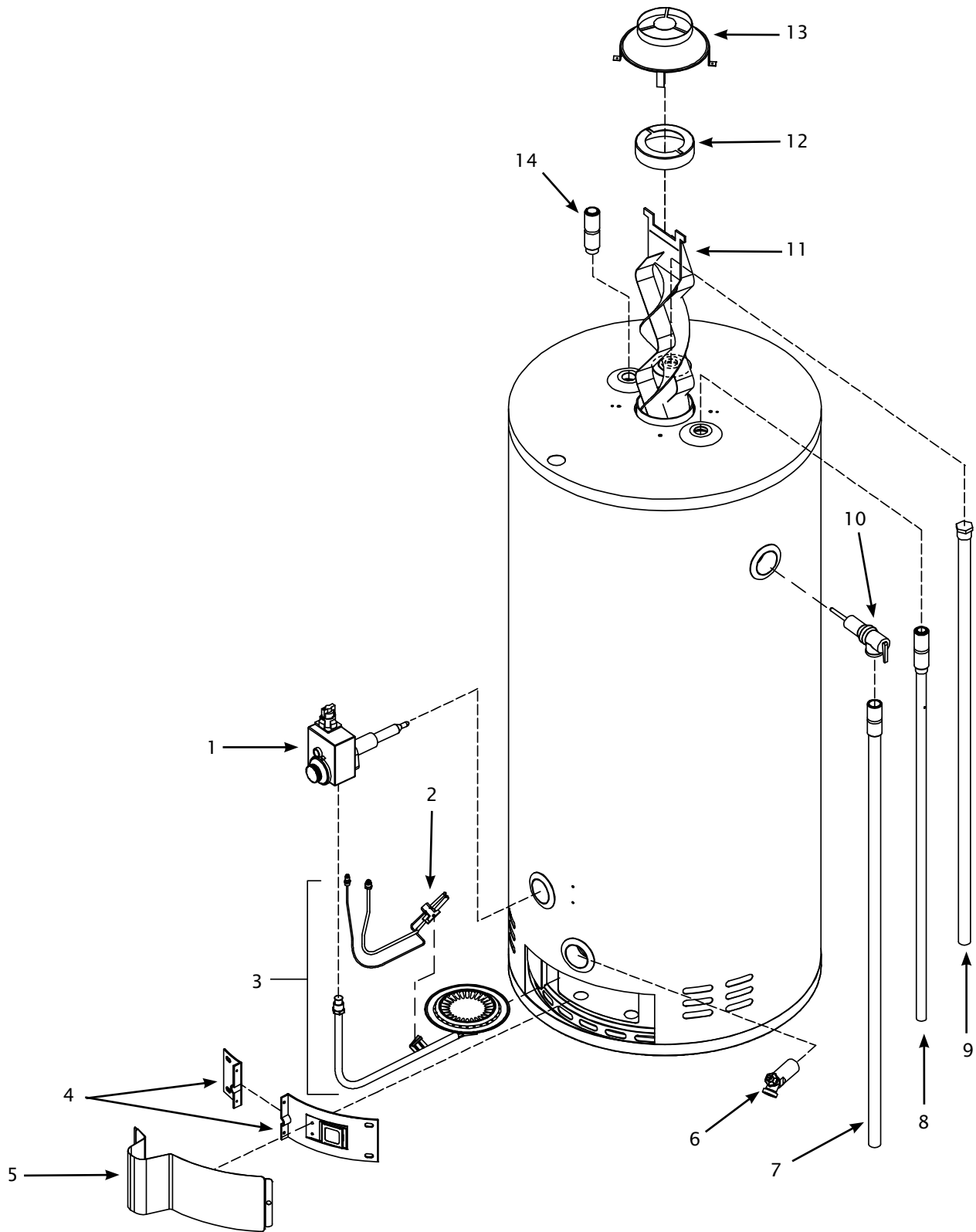
For PROPANE models, substitute the following:

I.D.	Part #	Description	Use With Models
1	56000125-A	Gas control valve	All
2	PT2B2000	Pilot/thermocouple assembly	All
3	06001507-A 06001510-A	Burner assembly	UG60-45 UG60-50





# REPLACEMENT PARTS LIST



Extract from the Replacement Part Catalog (June 2015)