

RESIDENTIAL DIRECT VENT GAS WATER HEATERS

FLEXIBLE VENTING MODELS

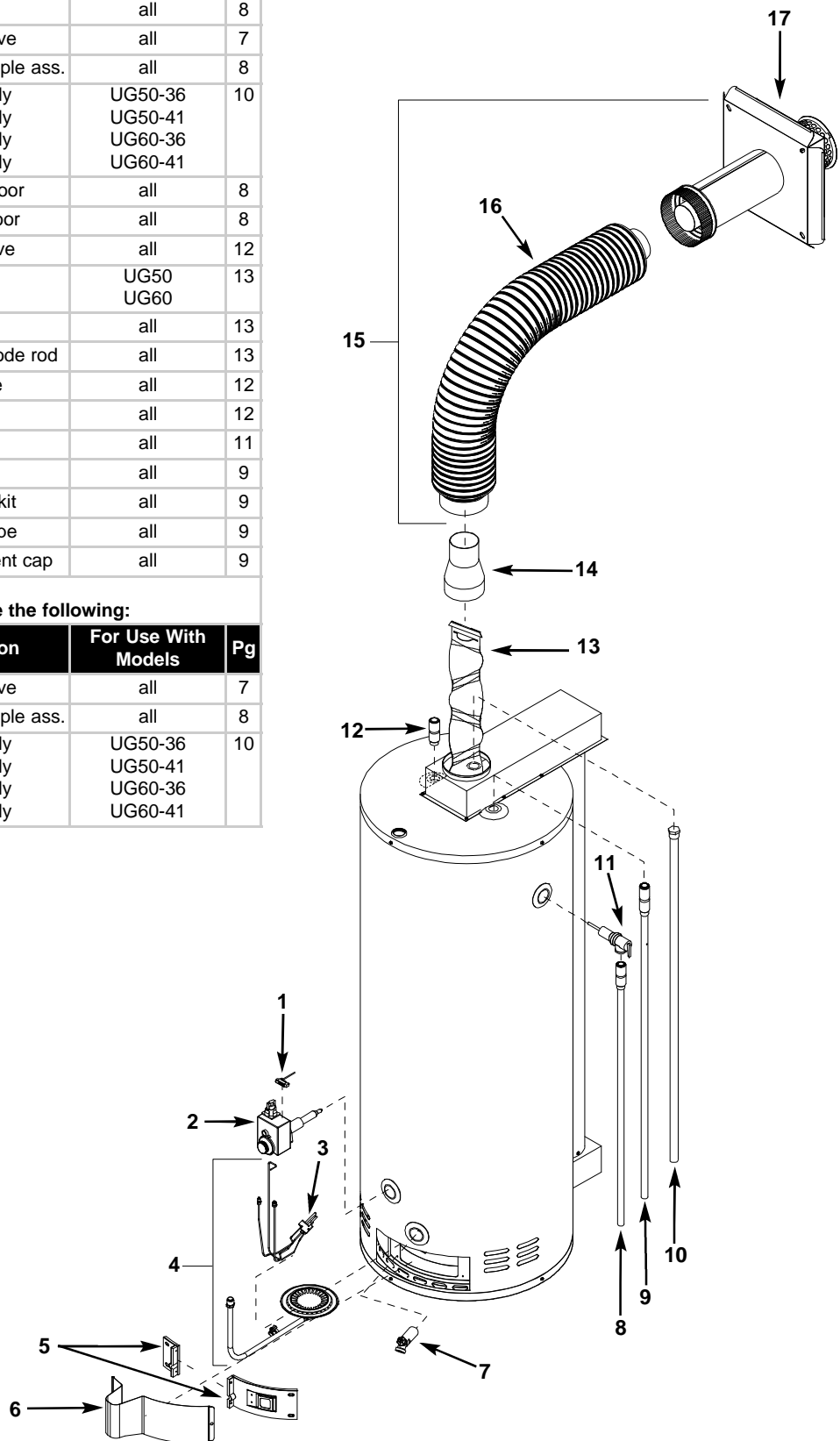
UG50-41(-36)TF(E)DVF-N2U/UG50-41(-36)TF(E)DVF-P2U

UG60-41(-36)MF(E)DVF-N2U/UG60-41(-36)MF(E)DVF-P2U

I.D.	Part #	Description	For Use With Models	Pg
1	56000145-A	Piezo igniter	all	8
2	GCA32600	Gas control valve	all	7
3	56000068-A	Pilot/thermocouple ass.	all	8
4	06001213-A 06001214-A 06001500-A 06001501-A	Burner assembly Burner assembly Burner assembly Burner assembly	UG50-36 UG50-41 UG60-36 UG60-41	10
5	ADA05001	Outer access door	all	8
6	ADA04002	Inner access door	all	8
7	15000028-A	Brass drain valve	all	12
8	19000005-A 19000006-A	Overflow tube Overflow tube	UG50 UG60	13
9	DT005330	Dip tube	all	13
10	MS145410	Magnesium anode rod	all	13
11	SV0Z4220	T&P relief valve	all	12
12	NP022241	Outlet nipple	all	12
13	06000045-A	Flue baffle	all	11
14	99000500-A	Flue reducer	all	9
15	VKGF0000	Complete vent kit	all	9
16	96000017-A	Flexible vent pipe	all	9
17	96000016-A	Wind-tamer® vent cap	all	9

For PROPANE models substitute the following:

I.D.	Part #	Description	For Use With Models	Pg
2	56000125-A	Gas control valve	all	7
3	56000069-A	Pilot/thermocouple ass.	all	8
4	06001215-A 06001216-A 06001504-A 06001505-A	Burner assembly Burner assembly Burner assembly Burner assembly	UG50-36 UG50-41 UG60-36 UG60-41	10



REPLACEMENT PARTS LIST